



description

This sensor is designed for the acquisition and electronic transmission of wind direction data. It is suitable for applications in the field of meteorology and environmental monitoring, e. g. for automatic weather stations, at airports, on research vessels, at industrial sites, for mobile measuring systems etc..

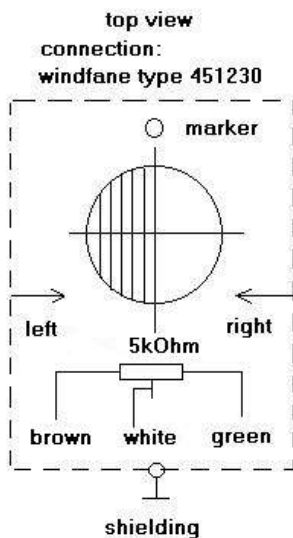
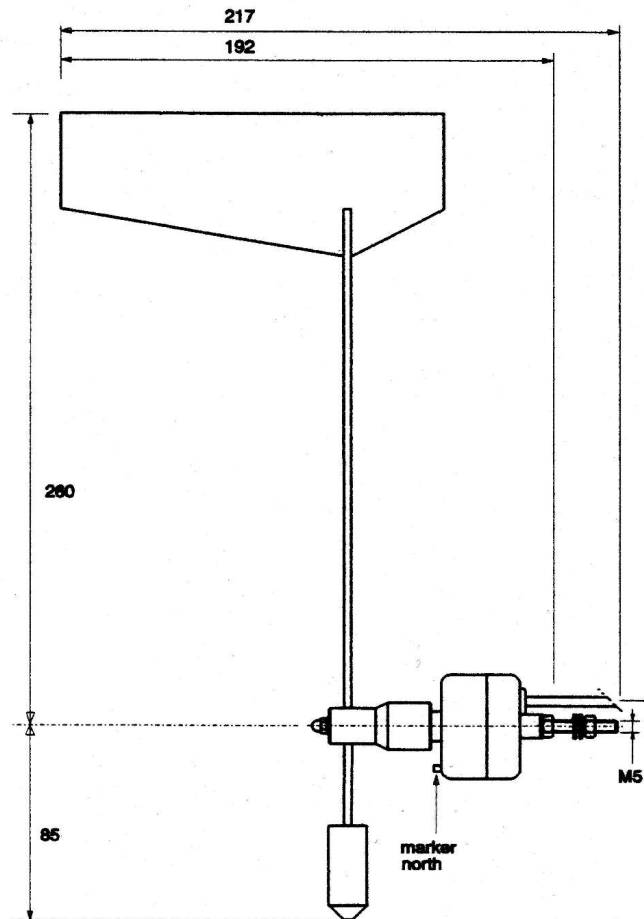
technical specification

potentiometer	long life type
life expectation	>20 000 000 revolutions
electric angle	350°±3°
mechanical angle	360° without stop
damping ratio	0,35
linearity	±1%
resistance value	5kOhm ±10%
bearings	oil bronze
operating temperature	-30...80°C
temperature coefficient	±200ppm/°C

materials

housing	POM, black
vane blade	glass fibre epoxy
vane stem and balance weight	painted brass
bearings	oil bronze
mounting hardware	stainless steel
connection cable	L=5m 3 x 0,15mm

meets requirements of WMO and IEA



The Fischer company reserves the right to make changes/improvements to their products and to their specifications at any time without prior notice to anyone.

